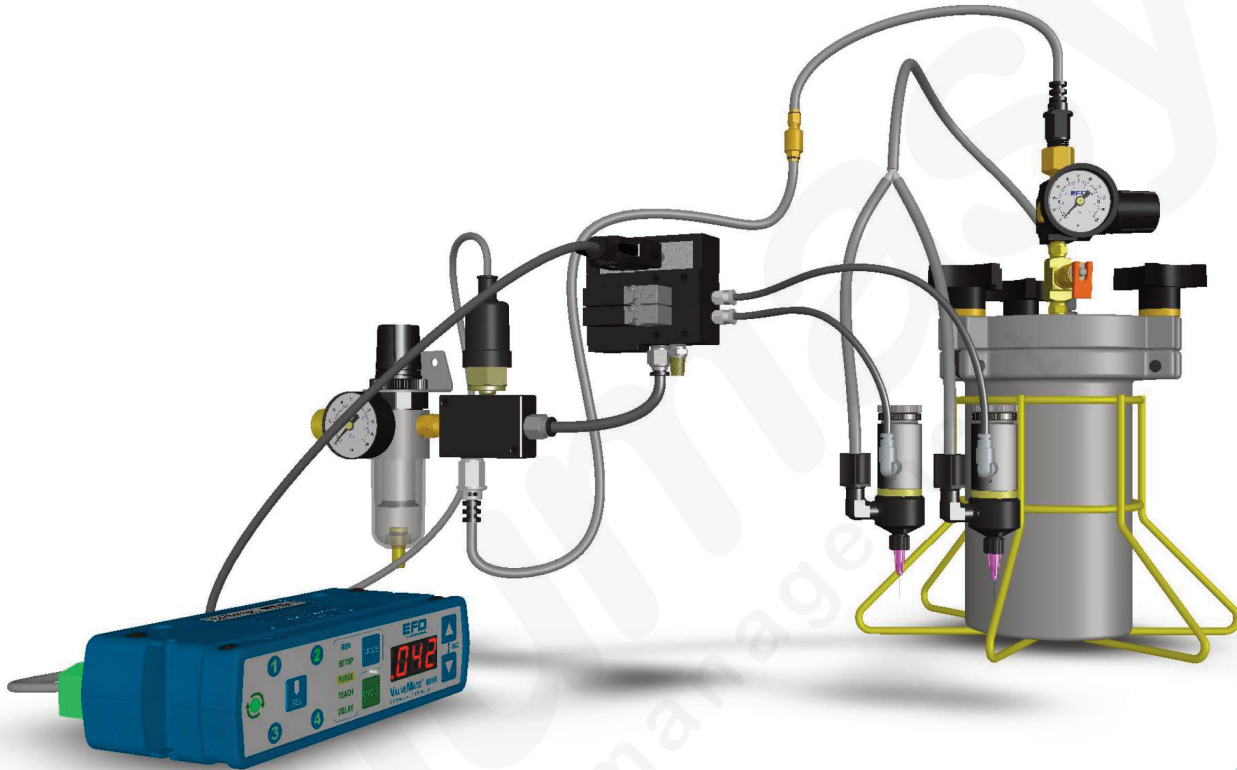


ValveMate™ 8000

Quick Start Guide



USA & Canada: 800.556.3484 or +1.401.431.7000

Europe: 0800 585733 or +44 (0) 1582 666334

Asia: +86 (21) 5854 2345

technical@nordsonefd.com www.nordsonefd.com

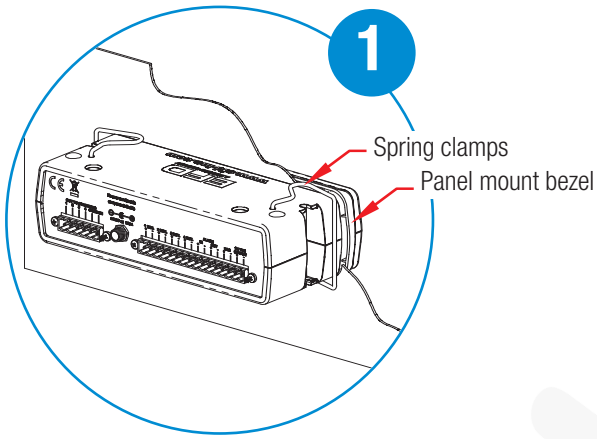
Electronic pdf files of Nordson EFD manuals are also available at
www.nordsonefd.com



Unpack the ValveMate 8000.
 This is also a good time to activate the one-year warranty. Register online at www.nordsonefd.com/warranty/valves/one.

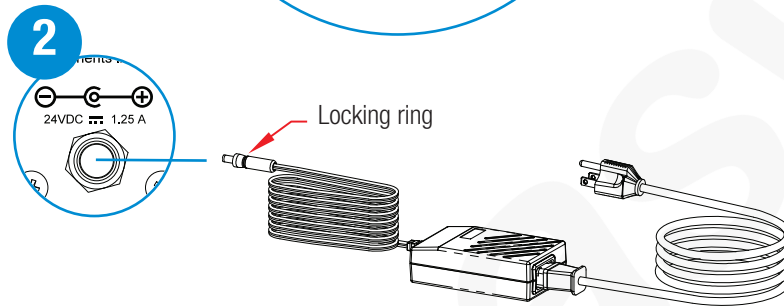
1

Mount the VM8000 and input power supply. The ValveMate can be mounted either over or under a cabinet or panel mounted using the bezel mount (included).



2

Install and connect the power supply. Connect the power supply cord to the ValveMate input connector. Secure with locking ring.



3

Install the air pressure regulator and air solenoids.

- A. Connect the plant air supply to the inlet of the filter regulator.
- B. Connect the solenoid cable between the solenoid and VM8000.

4

Connect the low air pressure sensor and tank low level switches (if low level float provided with reservoir) to ALARM IN. *See note below.

5

Connect the initiate I/O to the host machine control circuitry or to the bench initiate switch.

6

Install the dispense valves.

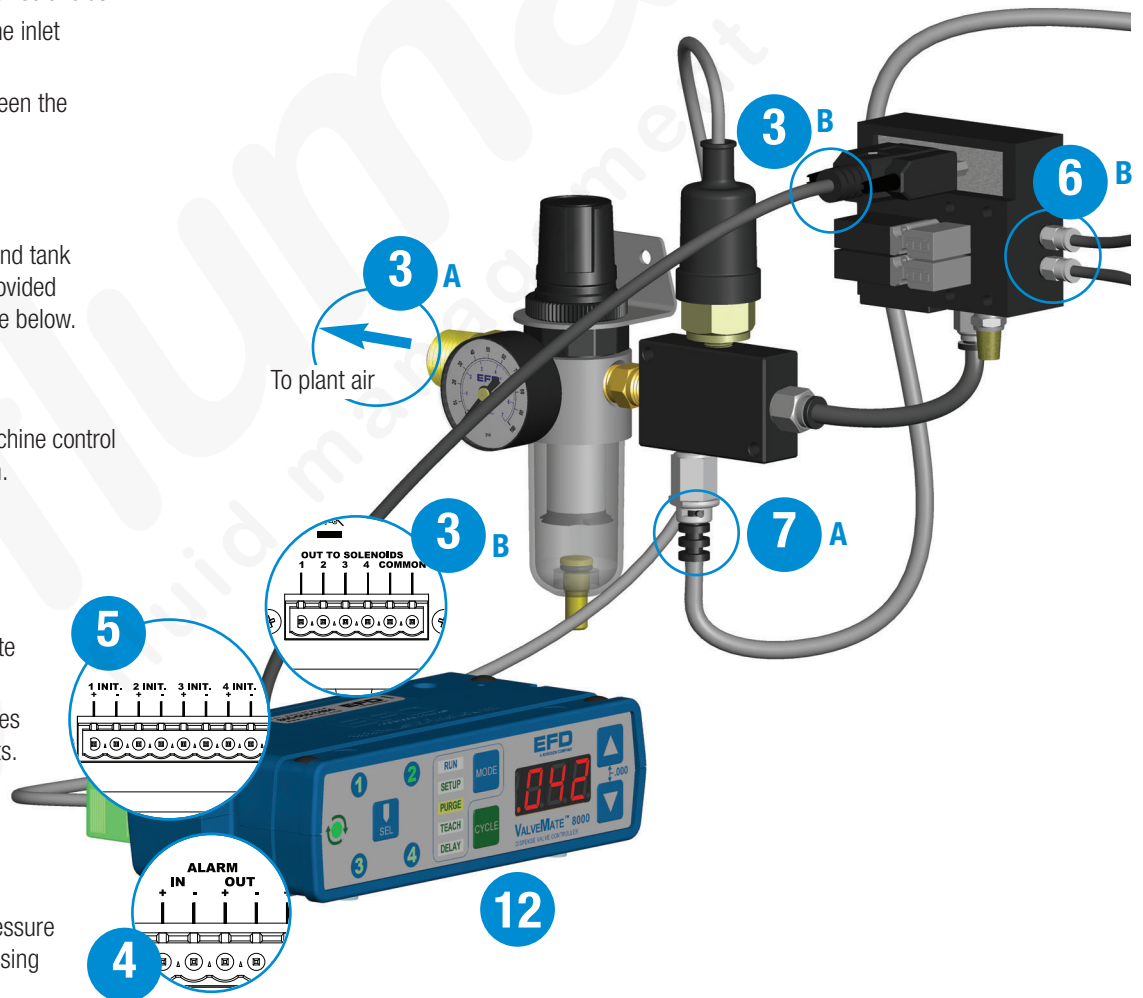
- A. Mount the valves using appropriate mounting hardware.
- B. Connect the valve control air hoses to the appropriate solenoid outlets.

7

Connect the fluid reservoir.

- A. Connect the fluid reservoir air pressure regulator to the plant air supply using the air hose and fitting supplied.
- B. Connect the reservoir fluid lines to the dispense valves.

Fill the fluid reservoir and secure the cover.

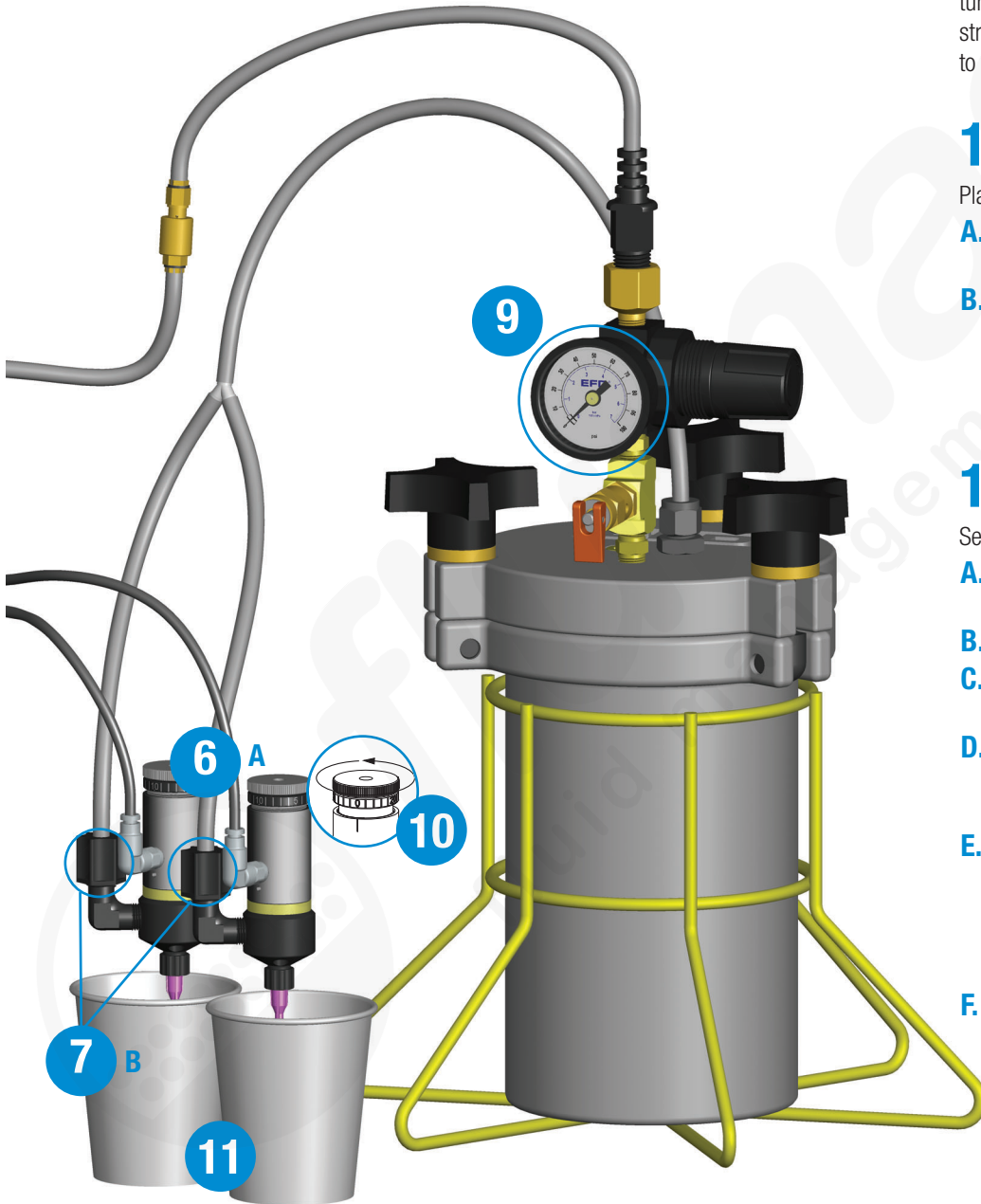


*Note: Wire additional normally closed alarm sensors in series and connect to the ALARM IN +/- terminals. If no alarm switch is used, the ALARM IN +/- terminals must have a jumper installed to disable the ALARM feature.

8

Final check list

- A. Air pressure to solenoid pack is set to 80 psi (5.5 bar).
- B. Solenoids and I/O are wired correctly.
- C. Valves and fluid reservoir are properly connected.
- D. Power to the ValveMate is on, and indicator lamps and LED are lit.



9



Set the tank pressure to 5 psi (0.35 bar) for low viscosity fluids and 30 psi (2.05 bar) for higher viscosity fluids. This is only a starting point.

10

Set the dispense valve stroke adjustment to 1/2 turn open (if using valve models with adjustable stroke control). Install a dispensing tip appropriate to the viscosity of the fluid and deposit size required.






11

Place a container under the dispense valve(s).

- A. Using the MODE  button, place the VM8000 in **PURGE** mode.
- B. Press the CYCLE  button and hold until fluid flows and fluid lines are free of air. Then set the flow rate using the valve stroke setting and tank air pressure. Avoid high tank pressures with low stroke settings.

12

Setting a timed deposit

- A. Using the MODE  button again, place the VM8000 in **SETUP** mode.
- B. Press the SEL  button to valve channel 1.
- C. Enter a dispense time of .050 seconds by pressing the up arrow next to the LED screen.
- D. With the container still under the valve(s), press the CYCLE  button to test the deposit amount.
- E. Increase or decrease the valve open time to arrive at the correct deposit size. To equalize all valves, press the SEL  button to highlight individual valve channel(s) and use the valve open time to equalize the outputs.
- F. Press MODE  button to return to **RUN**. Initiate dispense cycle using initiate from host PLC or bench initiate switch to verify dispense function.



Valve open time is the primary control of deposit size. It is normal to end with different time settings for each valve.

